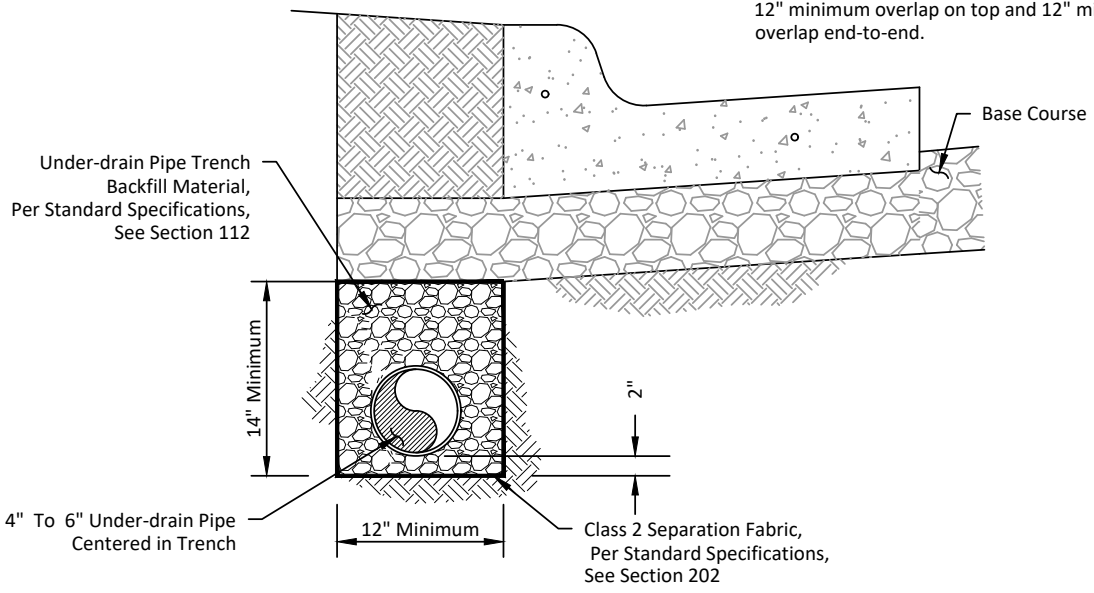
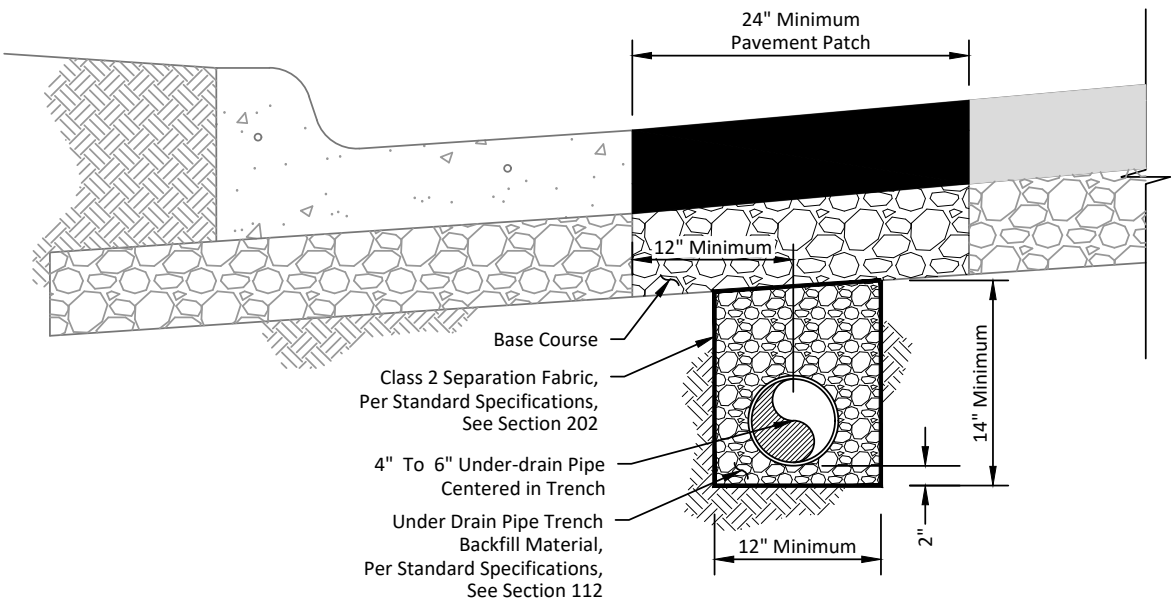


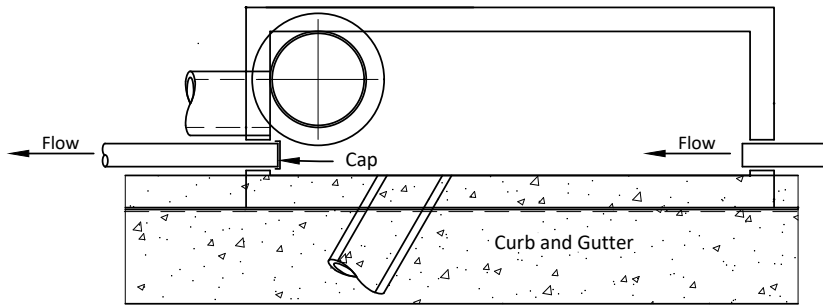
Note:
 Drainage fabric material to totally enclose under drain pipe trench backfill material and pipe. Provide 12" minimum overlap on top and 12" minimum overlap end-to-end.



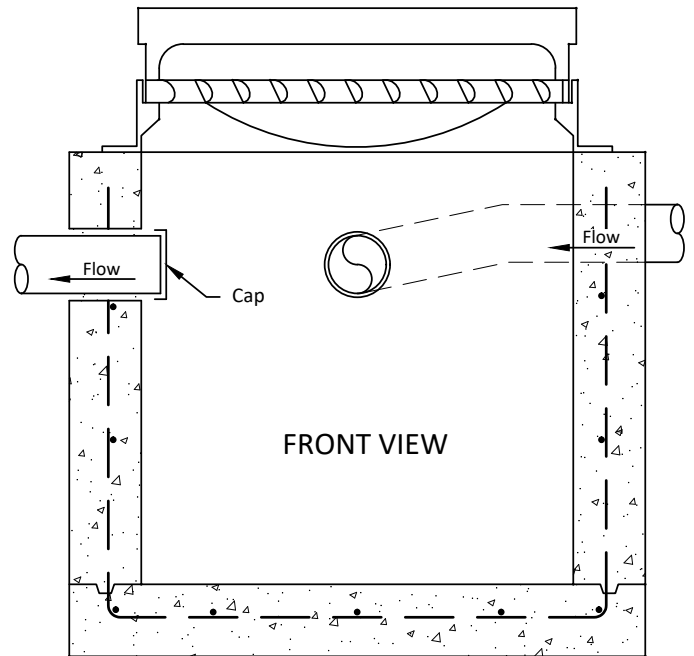
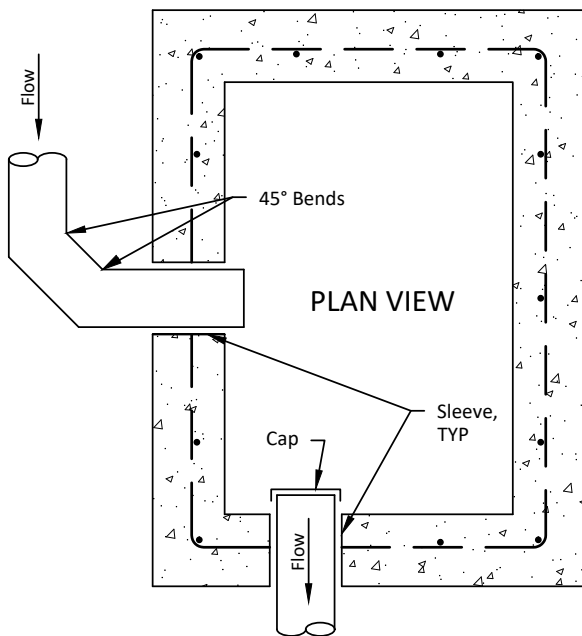
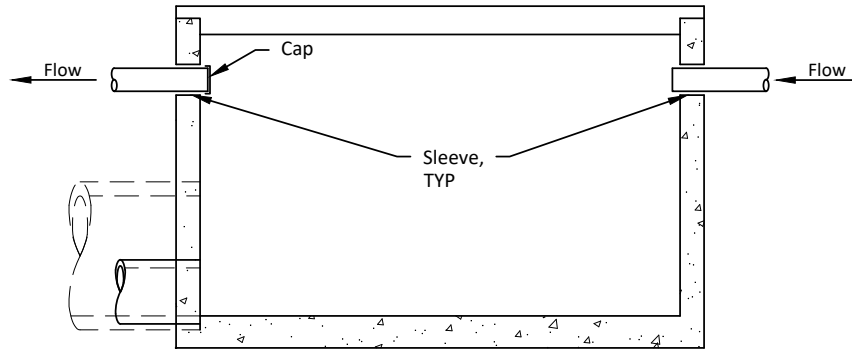
**UNDER-DRAIN
 NEW CURB & GUTTER**



**UNDER-DRAIN
 EXISTING CURB & GUTTER
 N.T.S.**



Note:
Underdrain connection into inlet shall be watertight using non-shrink grout or approved equal.
(Typical All Connections)



N.T.S.

CITY OF RAPID CITY

PUBLIC WORKS DEPARTMENT

UNDER-DRAIN CONNECTIONS TO INLETS

DATE: 8-19-22

Sec. - Sht.
64-2